

<RoHS Compliance>

CP-2HK-8R

CP-2HK-10R

FEATURES

- Substitution model of CP-2UK-R200
- Superb Temperature Characteristic and Linearity
- Input Voltage: 8V (CP-2HK-8R) , 10V (CP-2HK-10R)

Electrical Specifications

Model No.	CP-2HK-8R	CP-2HK-10R
Electrical Angle	$\pm 45^\circ$	
Output Range	10~90%Vin	
Absolute Linearity	$\pm 1\%FS$ (FS=80°)	
Input Voltage	DC8V $\pm 0.5V$	DC10V $\pm 0.5V$
Load Resistance	10K Ω MIN.	
Supply Current	13mA MAX.	
Resolution	12bit	
Hysteresis	0.1° MAX.	
Temp.Characteristics -40~100°C (ReferenceTemp.25°C)	0° Position : $\pm 0.8^\circ$ $\pm 40^\circ$ Position : $\pm 0.8^\circ$	

Mechanical Specification

Mechanical Angle	360° Endless
Torque	2mN · m MAX.
Weight	Approx.65g
Shaft Radial Load	14N
Shaft Thrust Load	4N

Enviromental Specification

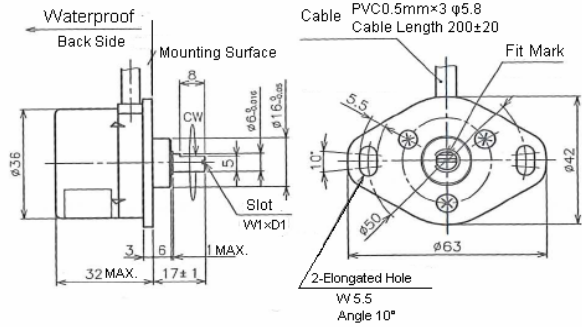
Life Cycles	500M Cycle MIN.
Vibration	100m/S , 3 axis 2hours each 5~500Hz/6minutes
Shock	1000m/S , 3 axis 6directions 3times each
EMS	100V/m 200MHz~1GHz
Operating Temp.	-40~100°C
Storage Temp.	-40~100°C
ESD(Case~Each Terminal)	$\pm 12kV$ (IEC61000-4-2)
ESD(Each Terminal)	$\pm 12kV$ (IEC61000-4-2)
IP Level	IP54 Excluding Seal Between Shaft and Bushing

OPTIONS

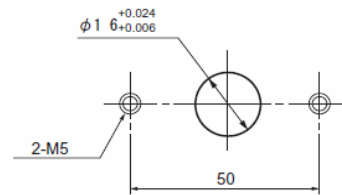
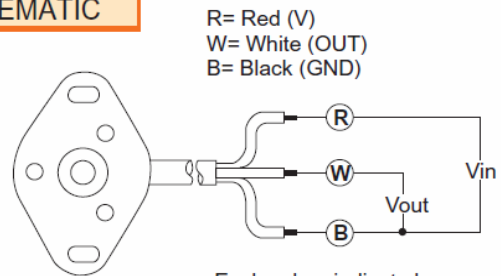
- Electrical Angle: 270° , 300° , 360°

HANDLING INSTRUCTION

- This product may be influenced from external magnetic field of apparatus which generates a magnetic field.
- Use this sensor in the place where is protected from ESD

DIMENSION (m m)


※When Shaft is positioned as shown, output is at approx. 50%

MOUNTING

SCHEMATIC


Each colors indicate harness colors

OUTPUT CHARACTERISTICS
