

RoHS Compliance
CP-2HB

FEATURES

- Compact & light weight
- Low cost

Electrical Specifications

Electrical Angle	± 45 (° 90 °)
Output Range	10 ~ 90% Vin
Independent Linearity	± 3% FS (FS=90 °)
Input Voltage	DC5 ± 0.5V
Load Resistance	10k MIN.
Supply Current	10mA MAX.
Insulation Resistance	DC50V 100M MIN.
Temp. Characteristics	± 3 % / -20 ~ 100

Mechanical Specifications

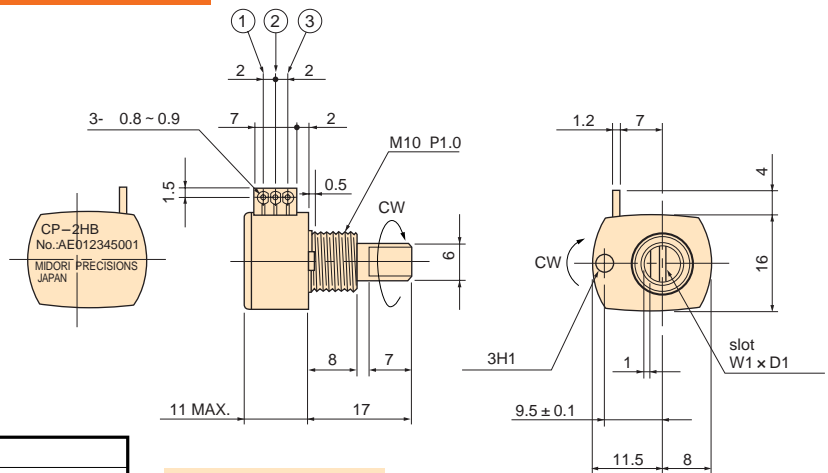
Mechanical Angle	360 °Endless
Torque	5m N · m MAX.
Weight	Approx. 10g

Enviromental Specifications

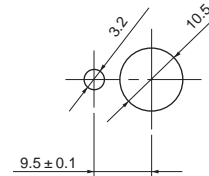
Operating Temp.	-20 ~ 100
Life Cycles	10M Cycle MIN.
Vibration	98m/s ² 3axis 2hours
EMS	100 ^V _m 10k ~ 1GHz
ESD(Case - Each Terminal)	± 2.5kV
ESD(Each Terminal)	± 4kV

Mating connector : MOLEX
Wafer assembly: 53253-0370
Housing: 51065-0300

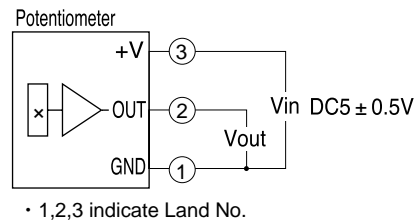
DIMENSION (mm)



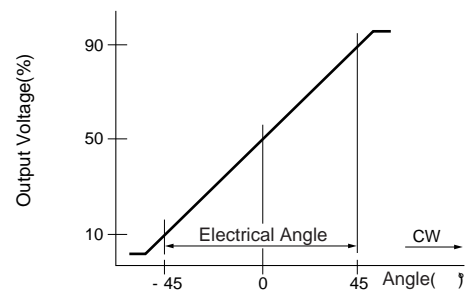
MOUNTING



SCHEMATIC



OUTPUT CHARACTERISTICS



HANDLING INSTRUCTION

- This product may be influenced from external magnetic field of apparatus which generates a magnetic field.
- Use this sensor in the place where is protected from ESD.

MOUNTING HARDWARE

M10 nut, Lock Washer