

RoHS Compliance

QP-2H QP-2HC

FEATURES

- Compact, light weight, low cost & ultra low torque
- Both side ball bearings
- High resolution due to wider output range
- Superb temperature characteristics

Electrical Specifications

Electrical Angle	± 45 (90 °)
Output Range	10 ~ 90% V_{in}
Independent Linearity	$\pm 1.5\%$ FS (FS=90 °)
Input Voltage	DC5 \pm 0.5V
Load Resistance	10k MIN.
Supply Current	10mA MAX.
Insulation Resistance	DC50V 100M MIN.
Temp. Characteristics	Center Position ± 1.5 ° } -30 ~ 100 ± 45 Position ± 2.5 ° }

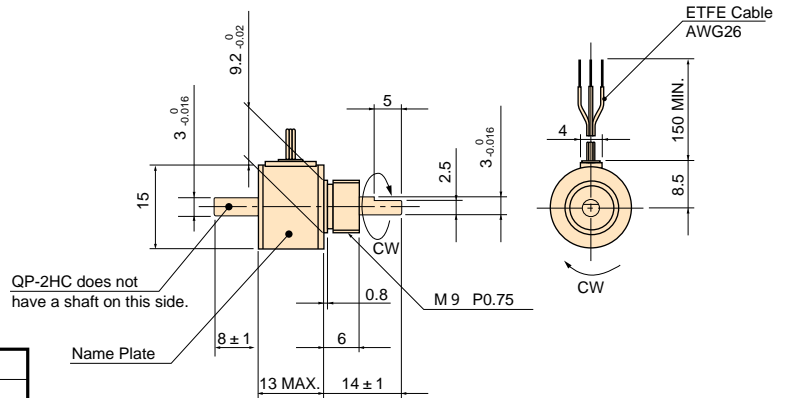
Mechanical Specifications

Mechanical Angle	360 °Endless
Torque	0.05m N · m MAX.
Weight	Approx. 10g
Shaft radial load	3N MAX.
Shaft thrust load	1N MAX.

Environmental Specifications

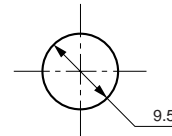
Operating Temp.	-30 ~ 100
------------------------	-----------

DIMENSION (mm)

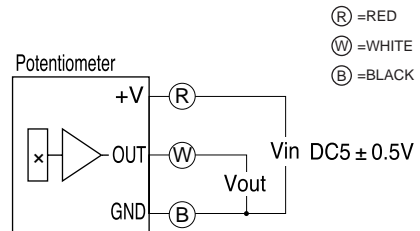


• When shaft is positioned as shown, output is at approx. 50%

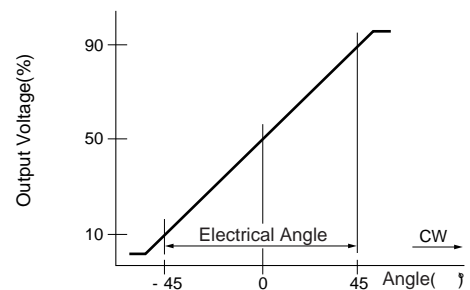
MOUNTING



SCHEMATIC



OUTPUT CHARACTERISTICS



HANDLING INSTRUCTION

- This product may be influenced from external magnetic field of apparatus which generates a magnetic field.
- Use this sensor in the place where is protected from ESD.

MOUNTING HARDWARE

M9 Nut, Lock Washer