

RoHS Compliance

CP-30H

FEATURES

- Suitable for application such as Dancer and Tension Controllers
- High resistance to radial and thrust shaft load
- Very low torque
- Very long useful life

Electrical Specifications

Electrical Angle	± 50 °
Output Range	10 ~ 90%Vin
Absolute Linearity (Independent Linearity)	± 6%FS(FS=100 °) (± 3%FS)
Input Voltage	DC 5 ± 0.5V
Load Resistance	10k MIN.
Supply Current	10mA MAX.
Insulation Resistance	DC50V 100M MIN.
Temp. Characteristics	0 °: ± 1.6 ° ± 50 °: ± 3.2 °

Mechanical Specifications

Mechanical Angle	360 °Endless
Torque	0.3mN·m MAX.
Weight	Approx. 50g
Shaft radial load	10N
Shaft thrust load	5N

Enviromental Specifications

Life Cycles	± 50 °; 5Hz 10M Cycle MIN.
Vibration	100m/s ² 50 ~ 2,000Hz/5min 3axis 2hours
Shock	500m/s ² , 11ms 3axis 3times
EMS	50V/m, 80k ~ 1MHz
Operating Temp.	-20 ~ 80
Storage Temp.	-40 ~ 80
ESD(Case ~ Each Terminal)	± 3.5kV
ESD(Each Terminal)	± 7.5kV
IP Level	IP50

OPTIONS

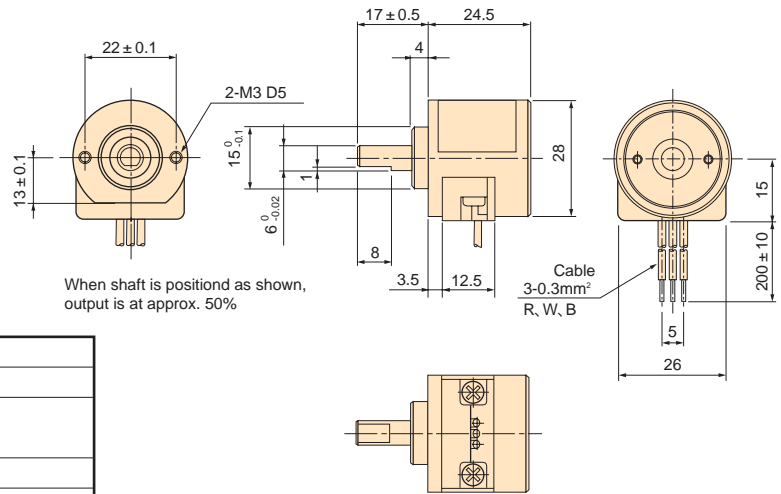
- Electrical angle: ± 30 °



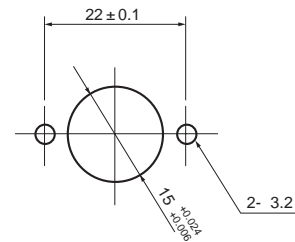
HANDLING INSTRUCTION

- This product may be influenced from external magnetic field of apparatus which generates a magnetic field.
- Use this sensor in the place where is protected from ESD.

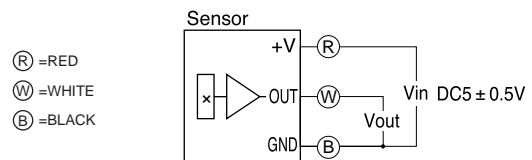
DIMENSION (mm)



MOUNTING



SCHEMATIC



Red, White and Black indicate harness colors

OUTPUT CHARACTERISTICS

